

Wireless mesh for the emergency lights

Emergency lights control and monitoring over 2.4 GHz wireless link

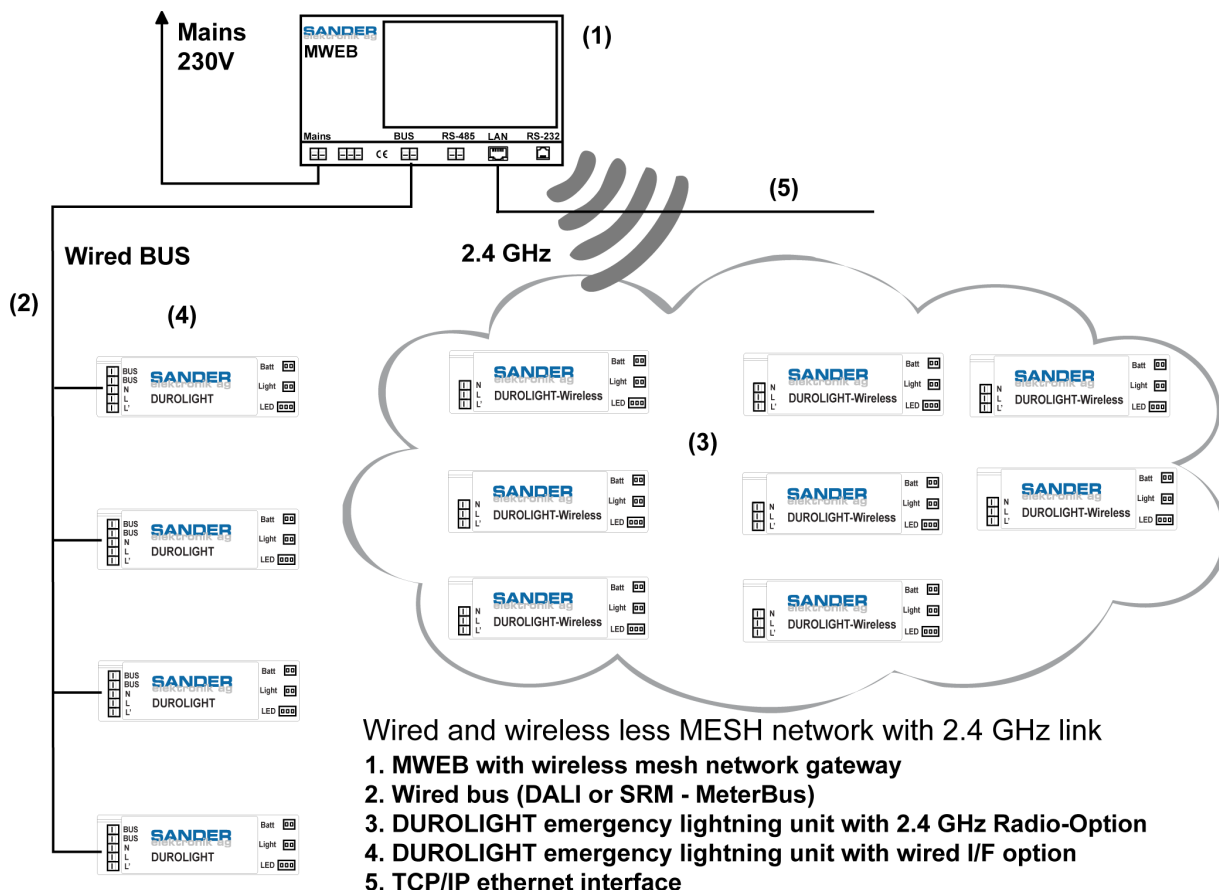
Product description

Second generation of the 2.4 GHz wireless communication based on the Nordic Semiconductor nRF52832 device. Supports both types of the infrastructure: SRM (MeterBus) and DALI, extending communication with a Wireless Mesh.

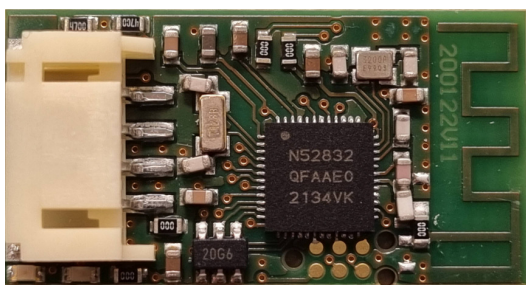
Features

- Identical hardware and firmware for the gateway and nodes operation
- available for direct host interface with the 5 pin UART bottom connector, or external mount with the 4 wire cable for UART communication
- operates from the 2.2-3.3VDC supply at 15 mA

Sample topology



Module with the PCB antenna



Module with the U.fl antenna connecto

